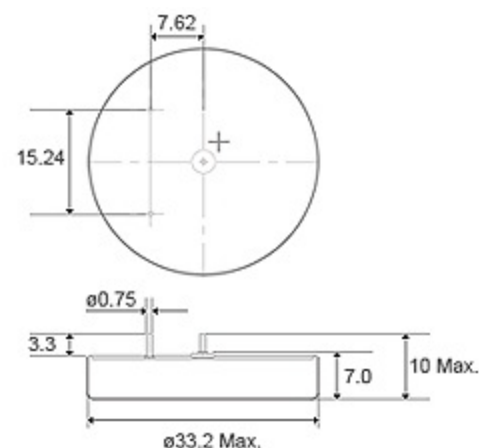


SPECIFICATIONS (Typical values stored at 20°C for one year)

▪ Nominal capacity (at 1mA/20°C/68°F/2.0V cut-off)	1.0Ah
▪ Nominal voltage	3.6V
▪ Max. recommended continuous current (Higher current can be available upon consulting)	20mA
▪ Max. pulse current capability★	40mA
▪ Operating temperature range	-55 ~ +85°C
▪ Lithium metal content	approx. 0.3g
▪ Weight	19.2g
▪ Volume	5.6cm³
▪ UL Approval	MH28122

Max Pulse Capability

Maximum Pulse capability reading over 3.0V at 40mA/0.1sec. every 2 min. at +20°C, 10μA / cm² base current with fresh batteries. The pulse capability can be different to the cell status, environment. For max. pulse coverage, capacitor support is recommended.



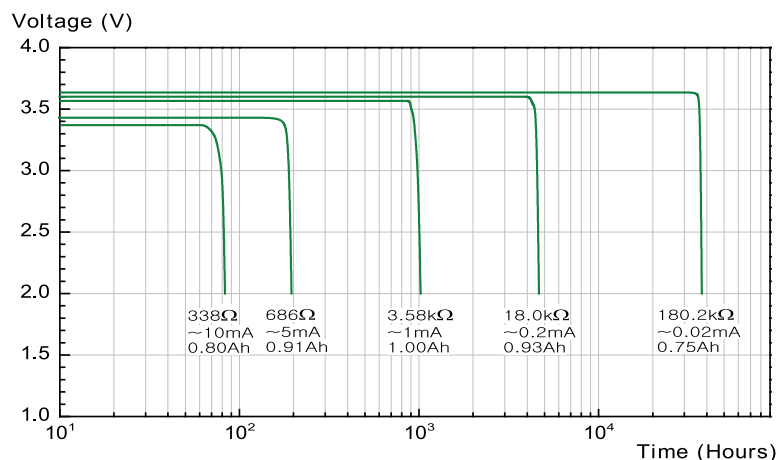
Dimensions in mm

Available Terminal Type
 STD (3AX) 3.3 or 5.5mm, NT

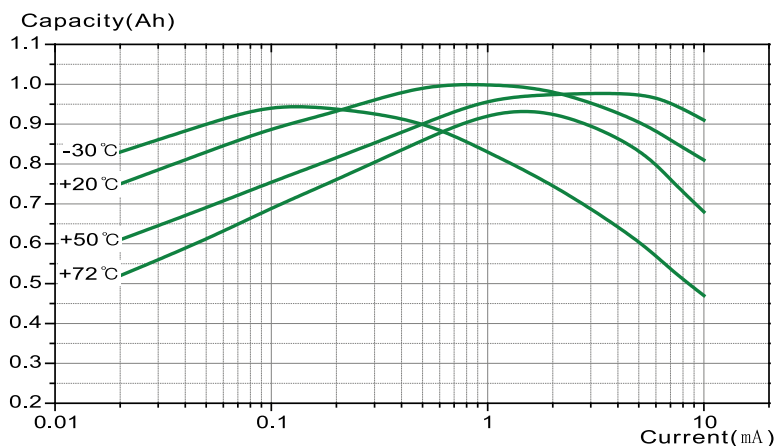
Storage Condition

Please store batteries at clean, cool (not over +30°C), dried (less than 30% RH) and ventilated condition

Discharge Characteristics at +20°C



Capacity versus Current



Operating Voltage

