

### Important Safety Instructions

READ AND SAVE THESE INSTRUCTIONS - DO NOT DISCARD

## ⚠ DANGER

### ELECTRIC SHOCK, EXPLOSION, AND ARC FLASH HAZARD

All wiring must be done by qualified personnel to ensure compliance with all applicable installation codes and regulations. Refer to the Conext SW inverter/charger Installation Guide for a definition of qualified personnel.

Disconnect and lockout all DC and AC sources that are powering this equipment and any connected equipment before installing, servicing, and performing any upgrades.

Always wear proper personal protective equipment (PPE) before working on or inside this equipment.

Always use a properly rated voltage sensing device to check the presence of potential and residual energy.

**Failure to follow these instructions will result in death or serious injury.**

### Materials List

The Conext SW AC Stacking Kit (865-1019) ships with the following items:

- 1x Installation Guide
- 2x Double-pole 30A AC Breaker
- 1x Double-pole 60A AC Breaker
- 2x Jumper Bars (four-finger)
- 1x Interlock plate with two screws
- 1x Breaker label sticker
- 6x 10AWG AC Wire (black)
- 2x 10AWG AC Wire (red)
- 1x 10AWG AC Neutral Wire (white)
- 1x 10AWG AC Ground Wire (green)

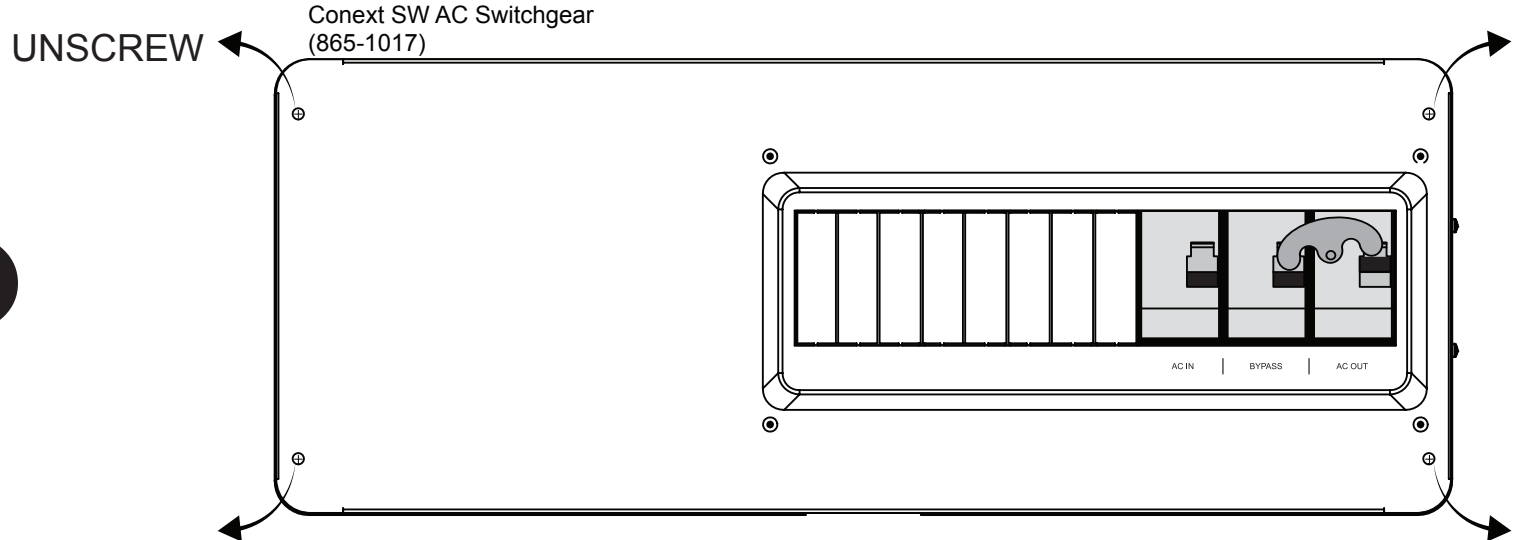
**NOTE:** The lengths of the supplied wires are long enough for when the AC switchgear is installed below the inverters and the inverters are stacked vertically in one line. Longer wires are required when the AC switchgear is installed above the inverters. Use and cut appropriate wires with the same gauge and termination as the supplied wires.

### Installation (see corresponding diagrams)

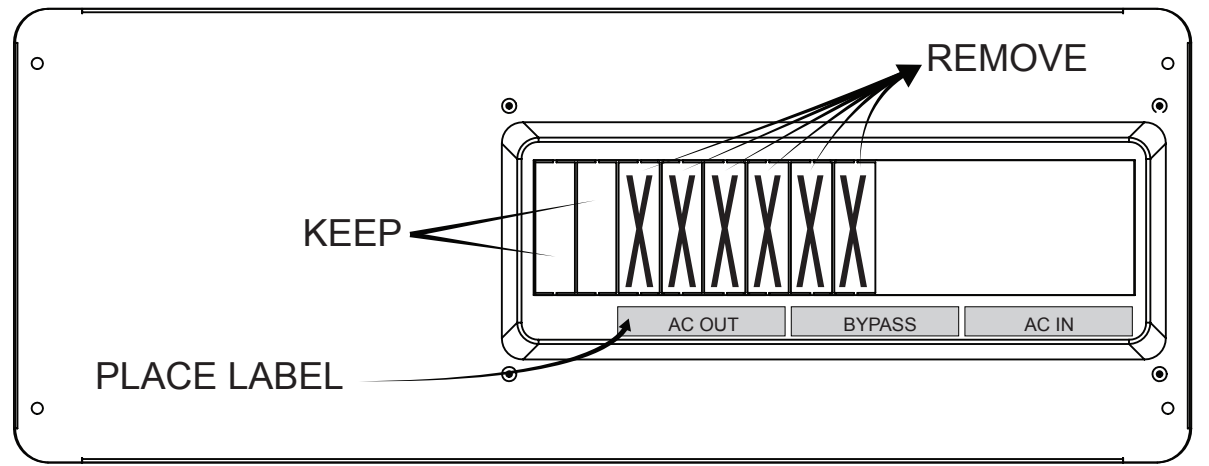
- 1 Detach the switchgear cover.
- 2 Remove the breaker knockouts as shown on the diagram to make room for the additional AC breakers and re-label the panel identifying the new breaker positions. Do not remove the last two breaker knockouts.
- 3 In the main switchgear cabinet, remove all wires connected to all the breakers including the jumper bars and the handle interlock device.
- 4 Loosen the leftmost 30A breaker and the center 60A breaker and distribute them evenly to the left along the rail to make room for the additional AC breakers.
- 5 Install the additional AC breakers. The two breakers in the middle must be the 60A breakers.
- 6 Install the jumper bars (four-finger) and wire the additional AC breakers. Connect additional neutral and ground wires to their respective busses. Use only qualified personnel to ensure compliance with all applicable installation and electrical codes and regulations.
- 7 Replace the AC switchgear cover. Secure the cover using the same screws that came with the product.
- 8 Install the Interlock plate. First, insert the bottom flange of the interlock plate into the slots in the switchgear cover. Then secure the top of the interlock plate with the two screws (provided).

### Contact Information

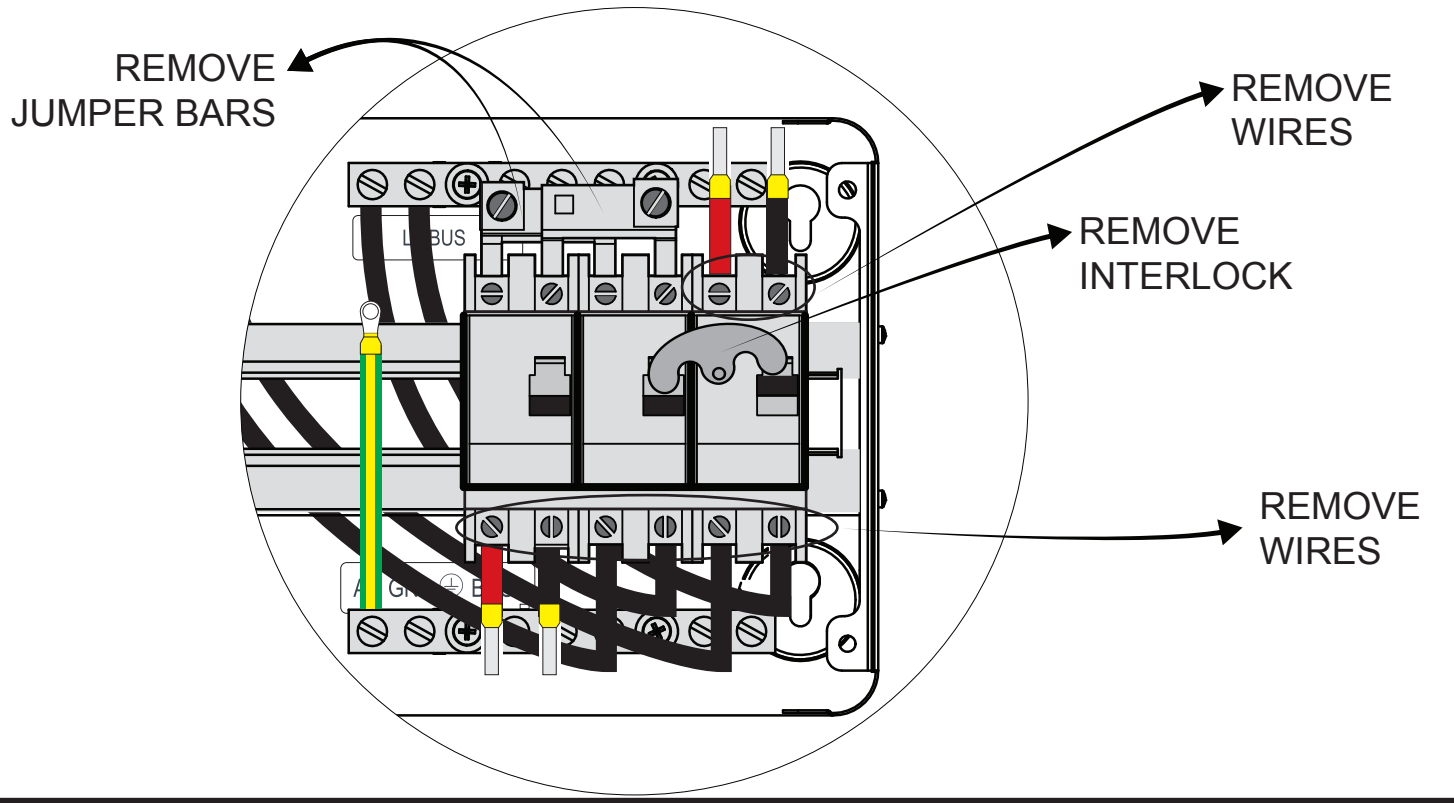
[www.schneider-electric.com](http://www.schneider-electric.com)  
 Please contact your local Schneider Electric Sales Representative or visit the Schneider Electric website at:  
<http://www.schneider-electric.com/sites/corporate/en/support/operations/local-operations/local-operations.page>



1

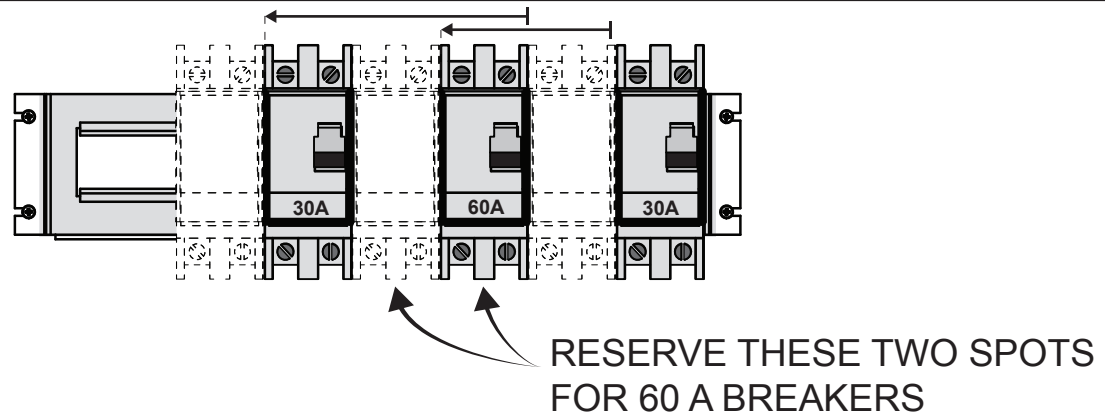


2

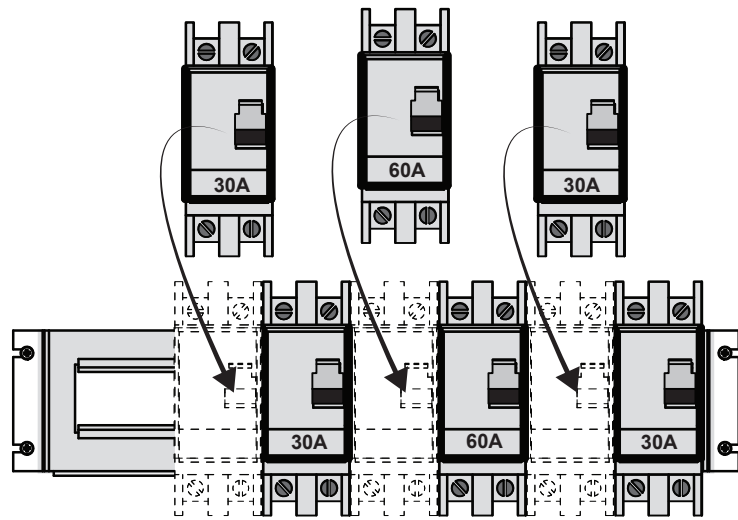


3

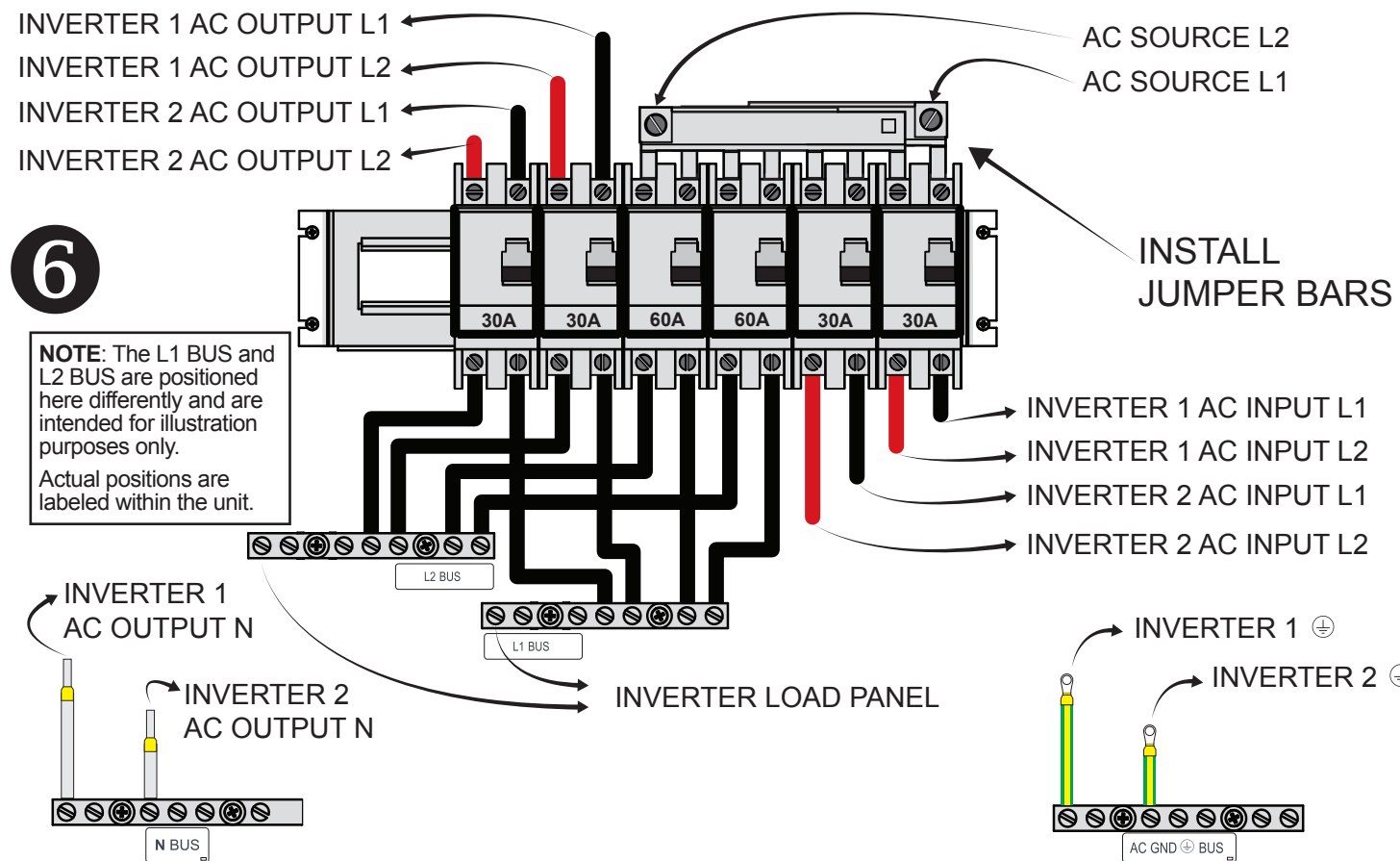
**4**



**5**

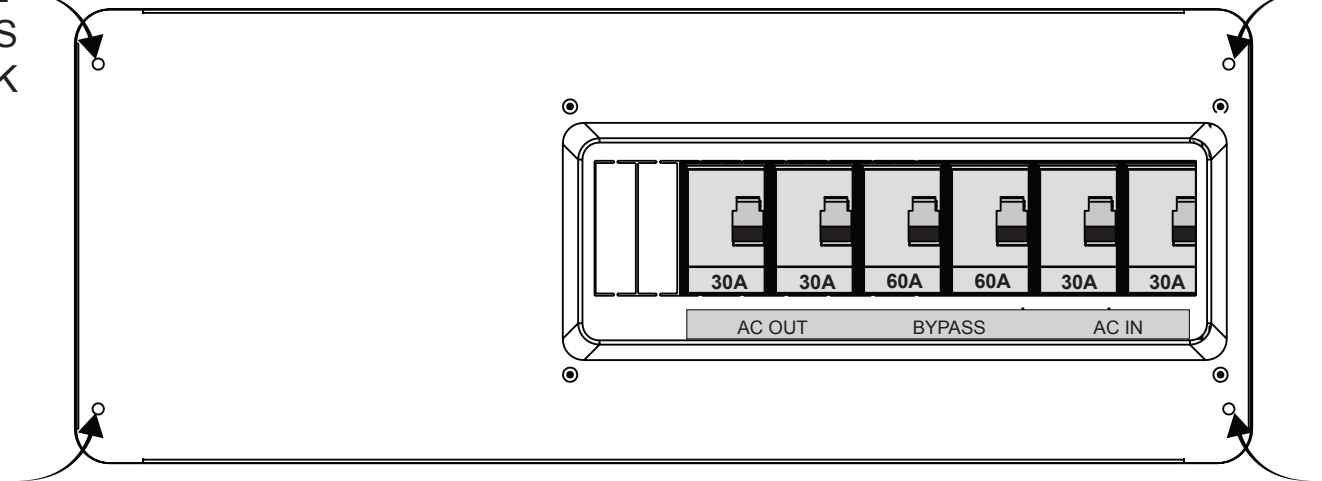


**6**



**7**

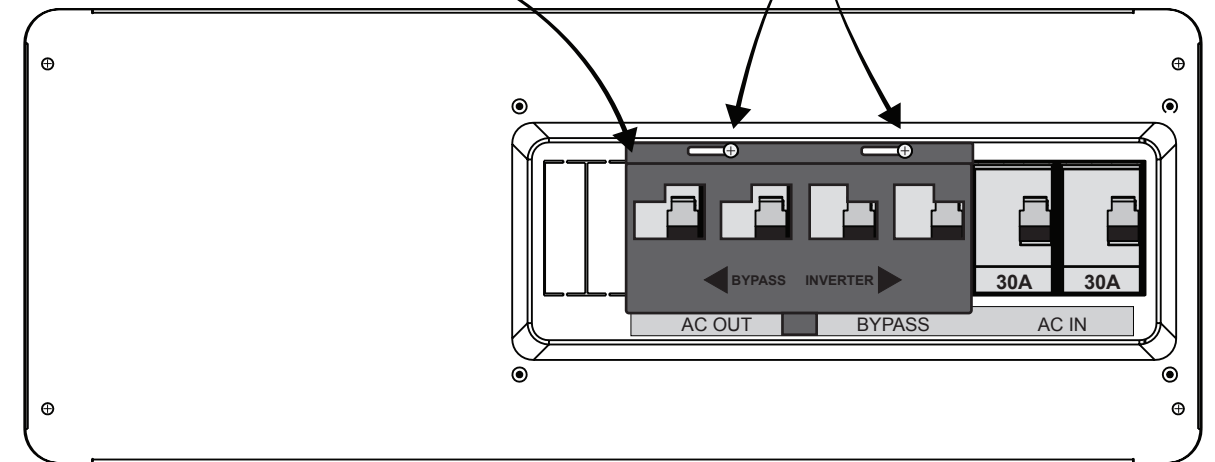
PUT ALL  
SCREWS  
BACK



**8**

INSTALL THE  
INTERLOCK PLATE

TIGHTEN THE SCREWS



## NOTICE

### EQUIPMENT DAMAGE

Once installed do not remove the breaker interlock plate.

The interlock plate can be moved but not removed. See instructions on the right.

**Failure to follow these instructions can cause equipment damage.**

### To move the interlock plate:

- Turn all breakers to OFF position.
- Loosen the interlock's screws.
- Slide it to position.
- Re-tighten its screws to secure the interlock plate in place.

### Exclusion for Documentation

UNLESS SPECIFICALLY AGREED TO IN WRITING, SELLER  
(A) MAKES NO WARRANTY AS TO THE ACCURACY, SUFFICIENCY OR SUITABILITY OF ANY TECHNICAL OR OTHER INFORMATION PROVIDED IN ITS MANUALS OR OTHER DOCUMENTATION;  
(B) ASSUMES NO RESPONSIBILITY OR LIABILITY FOR LOSSES, DAMAGES, COSTS OR EXPENSES, WHETHER SPECIAL, DIRECT, INDIRECT, CONSEQUENTIAL OR INCIDENTAL, WHICH MIGHT ARISE OUT OF THE USE OF SUCH INFORMATION. THE USE OF ANY SUCH INFORMATION WILL BE ENTIRELY AT THE USER'S RISK; AND  
(C) REMINDS YOU THAT IF THIS MANUAL IS IN ANY LANGUAGE OTHER THAN ENGLISH, ALTHOUGH STEPS HAVE BEEN TAKEN TO MAINTAIN THE ACCURACY OF THE TRANSLATION, THE ACCURACY CANNOT BE GUARANTEED. APPROVED CONTENT IS CONTAINED WITH THE ENGLISH LANGUAGE VERSION WHICH IS POSTED AT WWW.SCHNEIDER-ELECTRIC.COM.